



CABLE MANAGEMENT SYSTEMS

Desk Solutions

Pop Up Box



CABLE MANAGEMENT SYSTEMS

Desk Solution



**FUNCTIONALITY AND AESTHETICS
AT YOUR SERVICE**



POP-UP
BOXES



Desk Solution



Pop Up Box - Features

Nice aesthetics

A smooth opening, sockets slide up for an easy connection

A safe opening with a "press & slide" latch

**Product 100% metal
Reduced thickness for perfect integration**

**FUNCTIONALITY AND AESTHETICS
AT YOUR SERVICE**





CABLE MANAGEMENT SYSTEMS

Desk Solution



Pop Up Box – 5 Finishes!

**FUNCTIONALITY AND AESTHETICS
AT YOUR SERVICE**

- Matt Black
- Glossy White
- Stainless Steel
- Aluminium
- Brass





Aluminum

Pop Up Box - Range

■ Pop Up Aluminum 3 Module

■ Pop Up Aluminum 4 Module

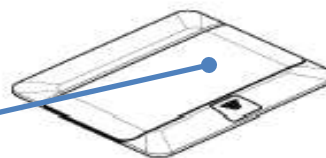
■ Pop Up Aluminum 6 Module

■ Pop Up Aluminum 8 Module

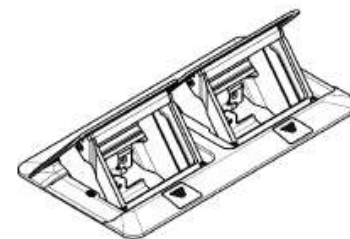
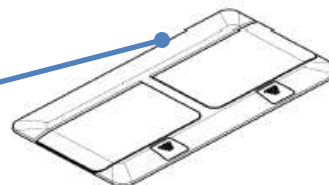
3 modules :



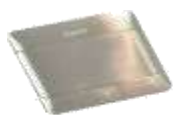
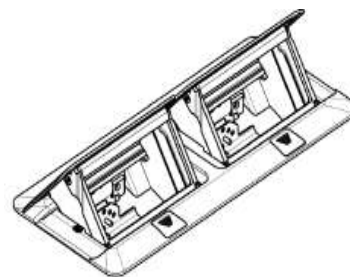
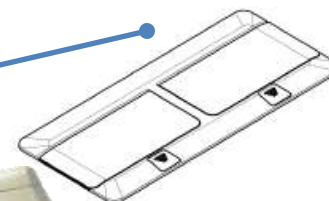
4 modules :



6 modules :



8 modules :



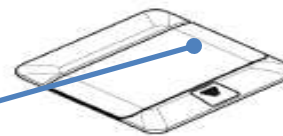


Brass

Pop Up Box - Range

■ Pop Up Brass 3 Module

3 modules :



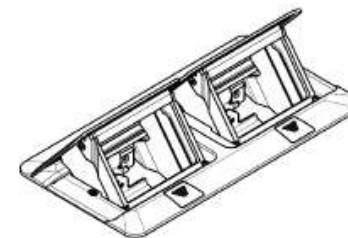
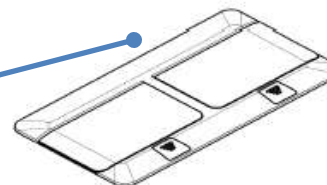
■ Pop Up Brass 4 Module

4 modules :



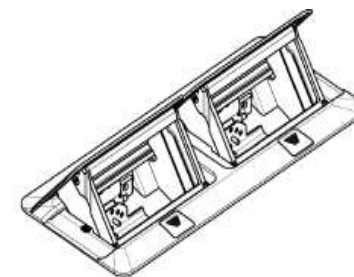
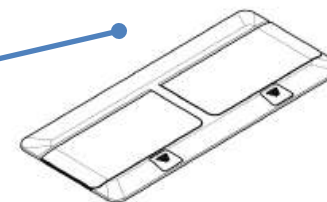
■ Pop Up Brass 6 Module

6 modules :



■ Pop Up Brass 8 Module

8 modules :





Pop Up Box - Range

Brushed Stainless Steel Finish

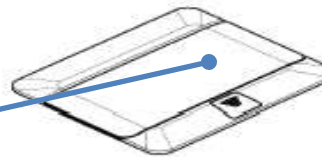
■ Pop Up Stainless 3 Module

3 modules :



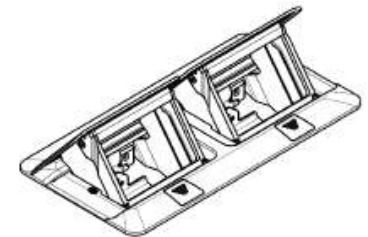
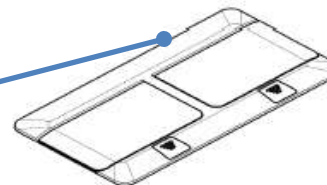
■ Pop Up Stainless 4 Module

4 modules :



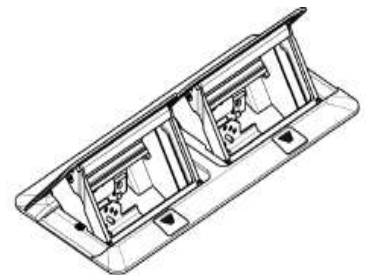
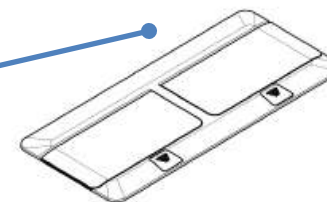
■ Pop Up Stainless 6 Module

6 modules :



■ Pop Up Stainless 8 Module

8 modules :





Glossy White Finish

Pop Up Box - Range

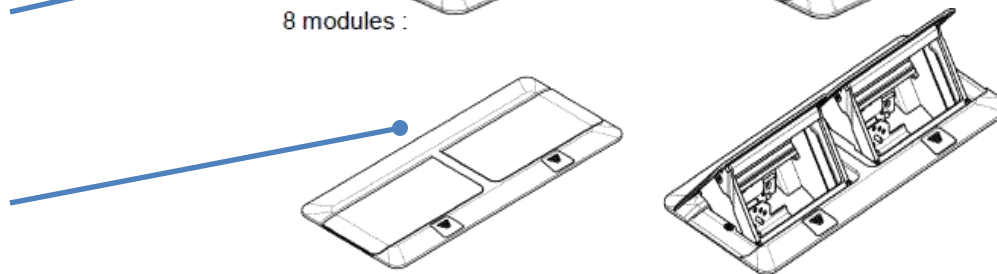
- Pop Up Glossy White 4 Module

4 modules :



- Pop Up Glossy White 8 Module

8 modules :



Matt Black Finish

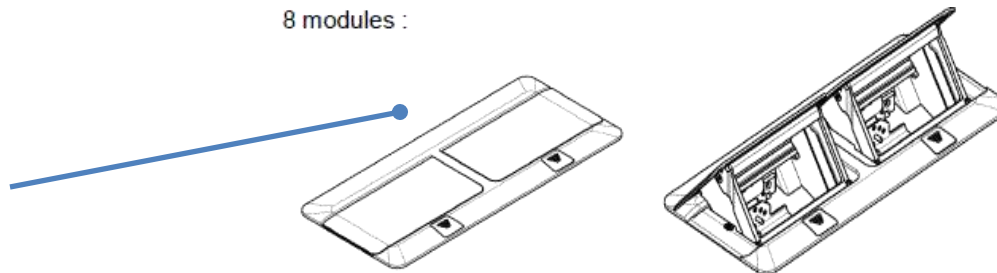
- Pop Up Matt Black 4 Module

4 modules :



- Pop Up Matt Black 8 Module

8 modules :



Desk Solution



Pop Up Box - Features

- An aesthetic and functional offer to Integrate directly in a Workstation or a meeting room.
- Wiring accessories sockets slides up for easy connection
- Easy integration of power and data (RJ45, Audio / Video, USB...)



- Compatible with Arteor Range of Wiring Devices



Full Metal Product

Better functionality

- Slow Opening System
- Press and Slide Button to open the Pop UP

Design

- 5 Different Finishes
- Reduced thickness for Perfect Integration

Desk Solution



Pop Up Box - Features



FUNCTIONALITY AND AESTHETICS AT YOUR SERVICE

Safety and Ease of Use

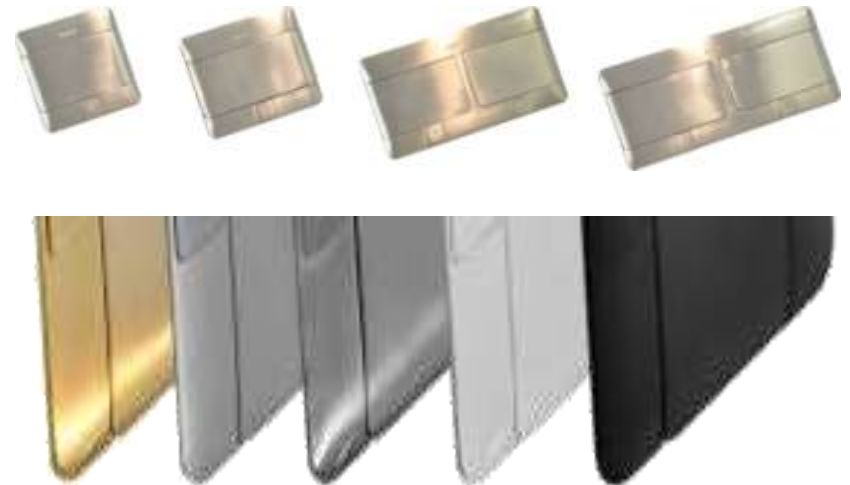
- Soft opening cover with damper and push & slide locking System

Accessories

- Installation Kits available for Raised Floor /Table Top or for Screed floor

Finish

- Matt black – Aluminum material with Black Painting
- Glossy white - Aluminum material with white Painting
- Stainless steel – Zamak Nickel Coating
- Aluminium - Aluminium material
- Brass – Brass Material



Desk Solution



Pop Up Box - Features



FUNCTIONALITY AND AESTHETICS AT YOUR SERVICE

Mechanical Impact

- Protection against Mechanical Impact : IK07

Degree of Protection

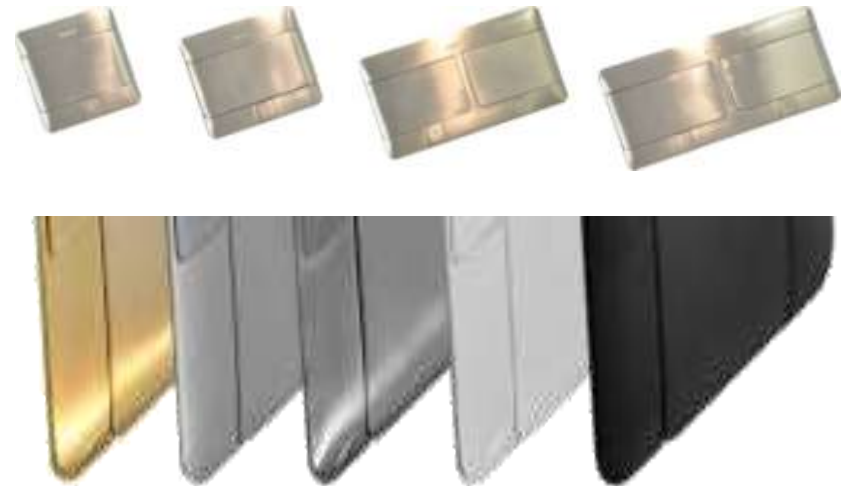
- IP 30 cover Open
- IP 40 Cover Closed

Resistance to vertical Load applied through small area:

- 1500N cover open
- 3000N cover closed

Material

- Halogen free
- Fire Proofed and no Propagator to flame
- Corrosion resistant and to temperature changes





CABLE MANAGEMENT SYSTEMS

Desk Solution

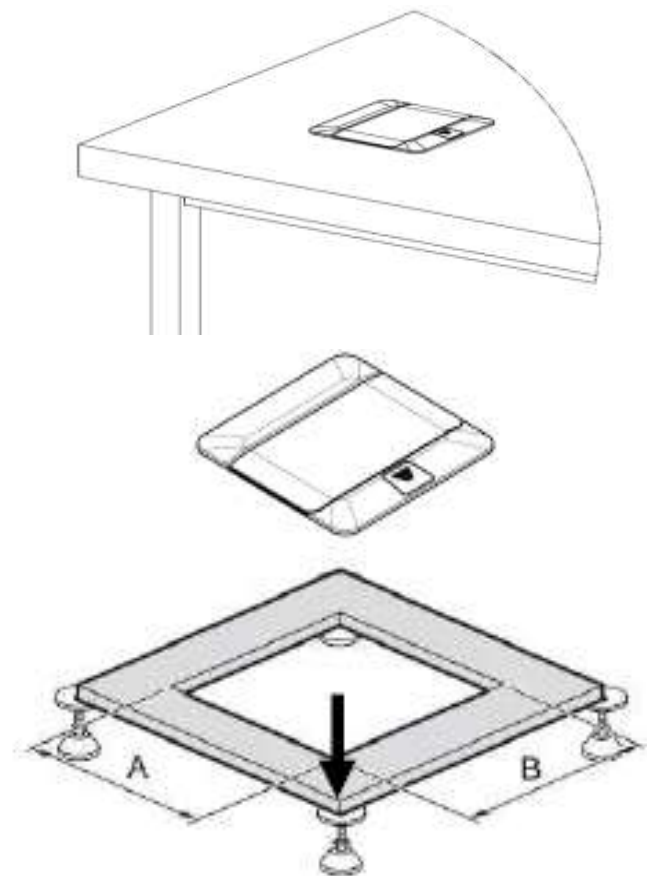


Pop Up Box

– Installation Desk/ Table/ Raised Floor

**Use the Kit for
desk/table/raised floor**

- Power / Data Cat6/ AV



Desk Solution



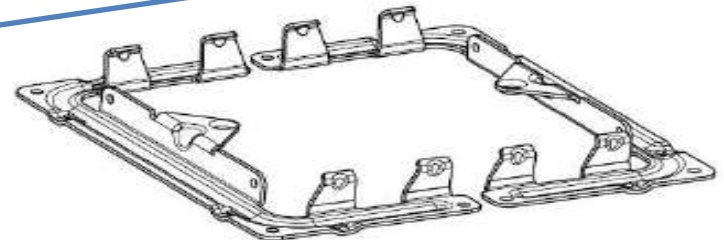
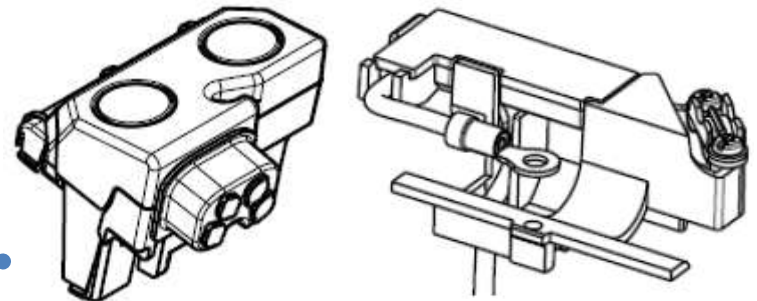
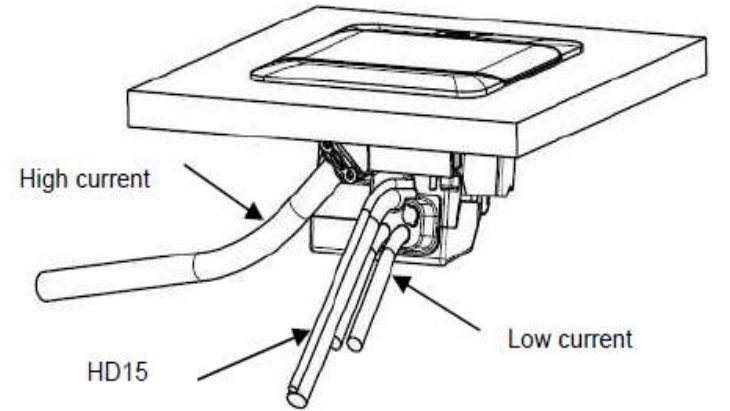
Pop Up Box

– Installation Desk/ Table/ Raised Floor

Pop-Up installed on desk / table / raised floor

Installation Kit

- Insulation Unit
- Clamp Support
- 2 Fixations Supports



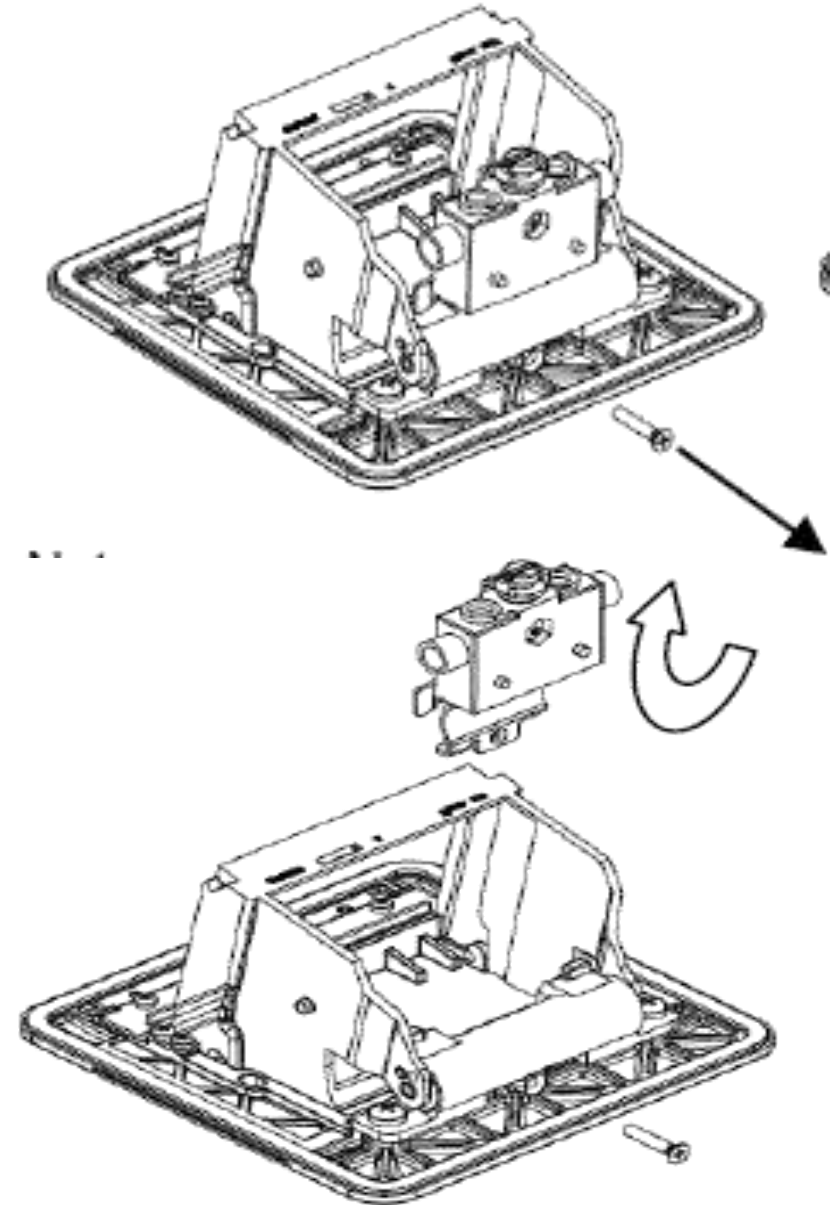
Desk Solution



Pop Up Box

– Installation Desk/ Table/ Raised Floor

If you don't require Power Connection remove the terminal connection





Desk Solution

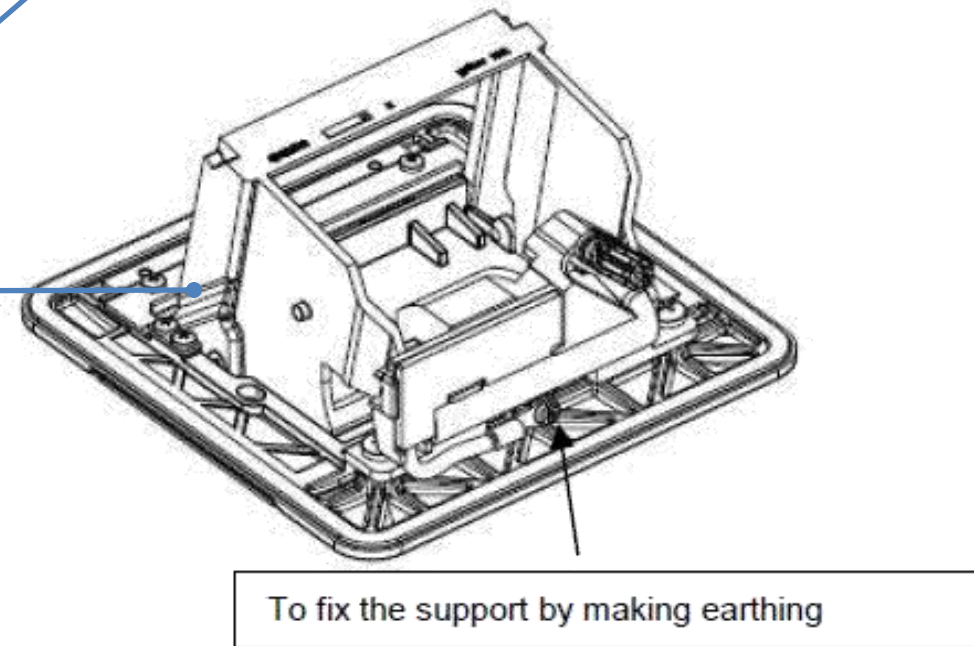
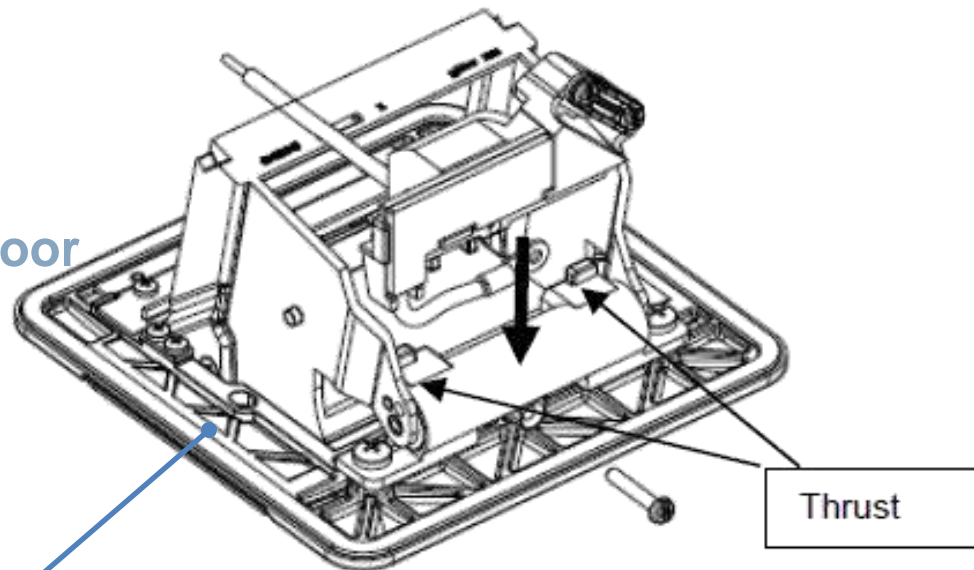
Pop Up Box

– Installation Desk/ Table/ Raised Floor

Assembly of Pop Up

■ Push the cable clamp down

■ Fix the earth link on the metal part of Pop-Up





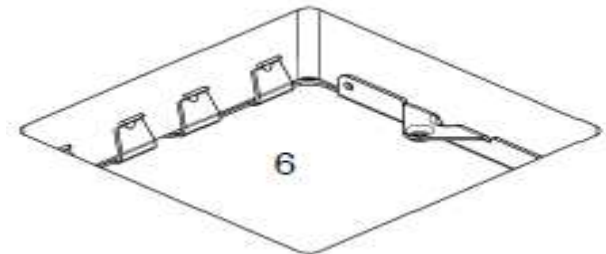
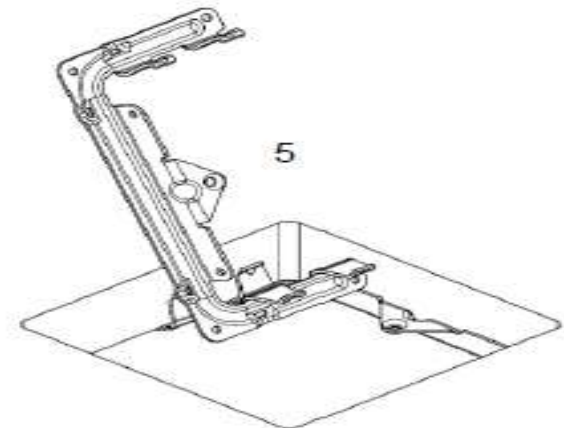
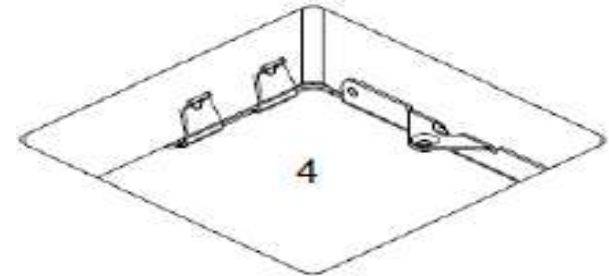
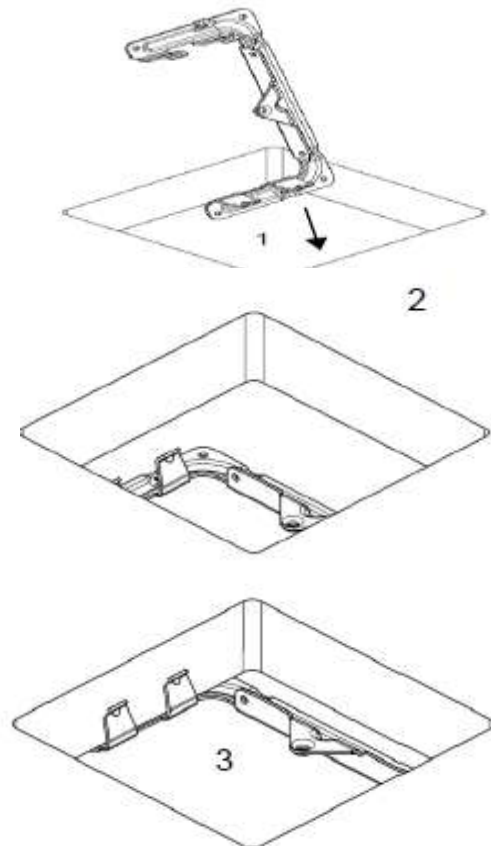
CABLE MANAGEMENT SYSTEMS

Desk Solution



Pop Up Box

– Installation Desk/ Table/ Raised Floor



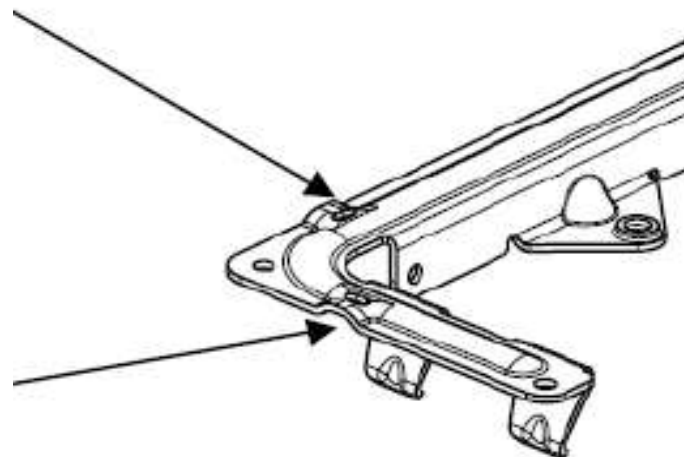
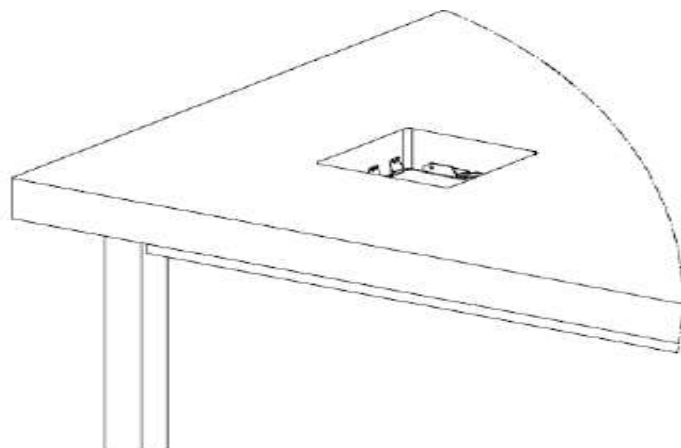
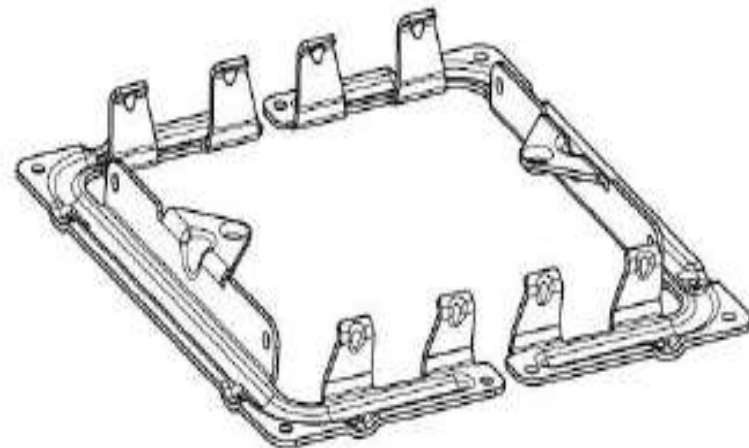


Pop Up Box

– Installation Desk/ Table/ Raised Floor

Fixation Support

- Holes provided to allow the passage of the cable ties to generate the loop of RJ45 Cable and to respect bend radius for VDI Cables



Desk Solution

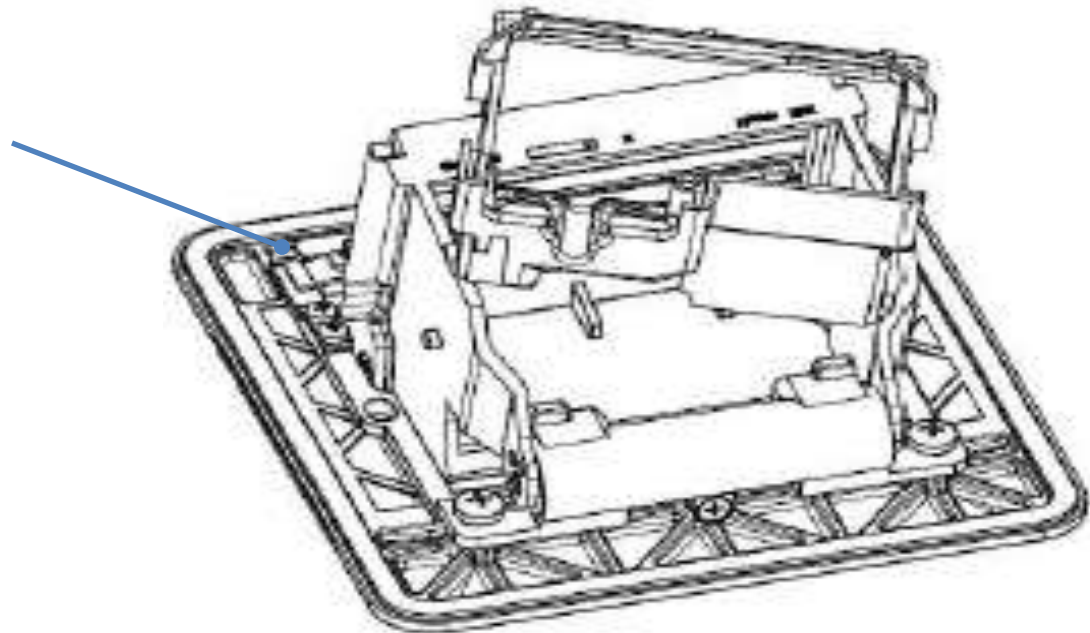
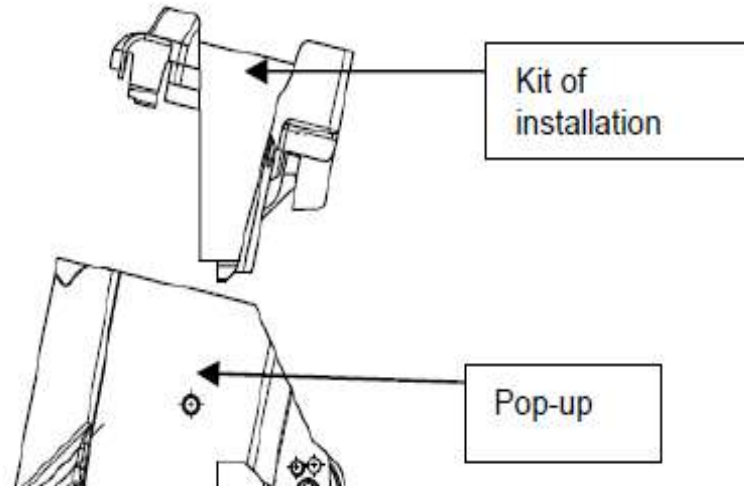


Pop Up Box

– Installation Desk/ Table/ Raised Floor

Kit Installation without the Clamp Support

- Insert the Kit at the back
- Turn it at 45 Degree



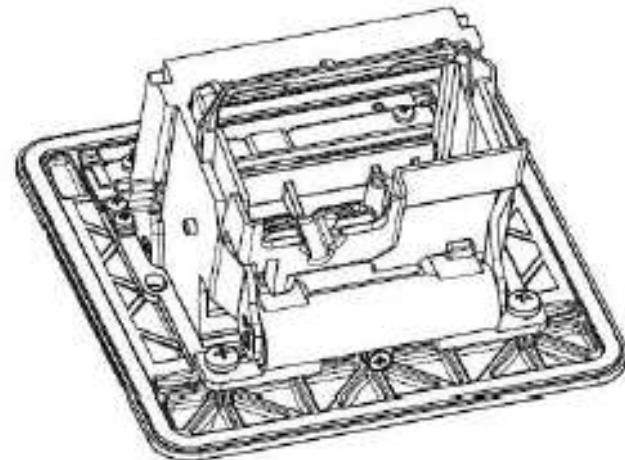
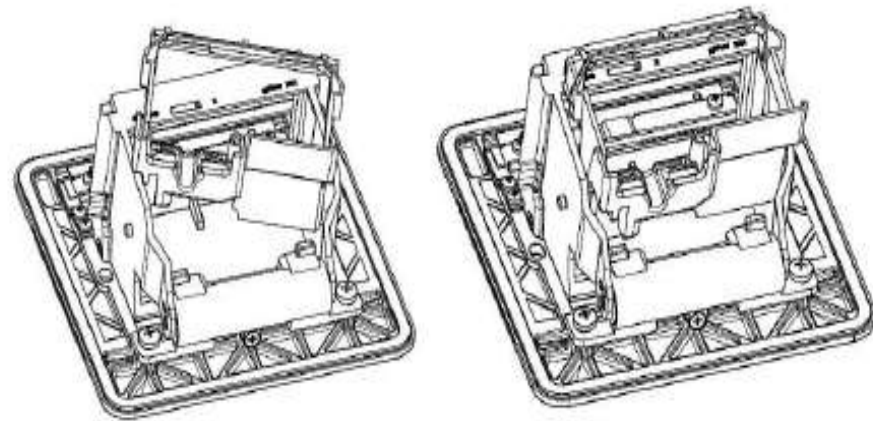


Pop Up Box

– Installation Desk/ Table/ Raised Floor

Kit Installation without the Clamp Support

- Push It Down and Turn it Back
- It will clip when in Place



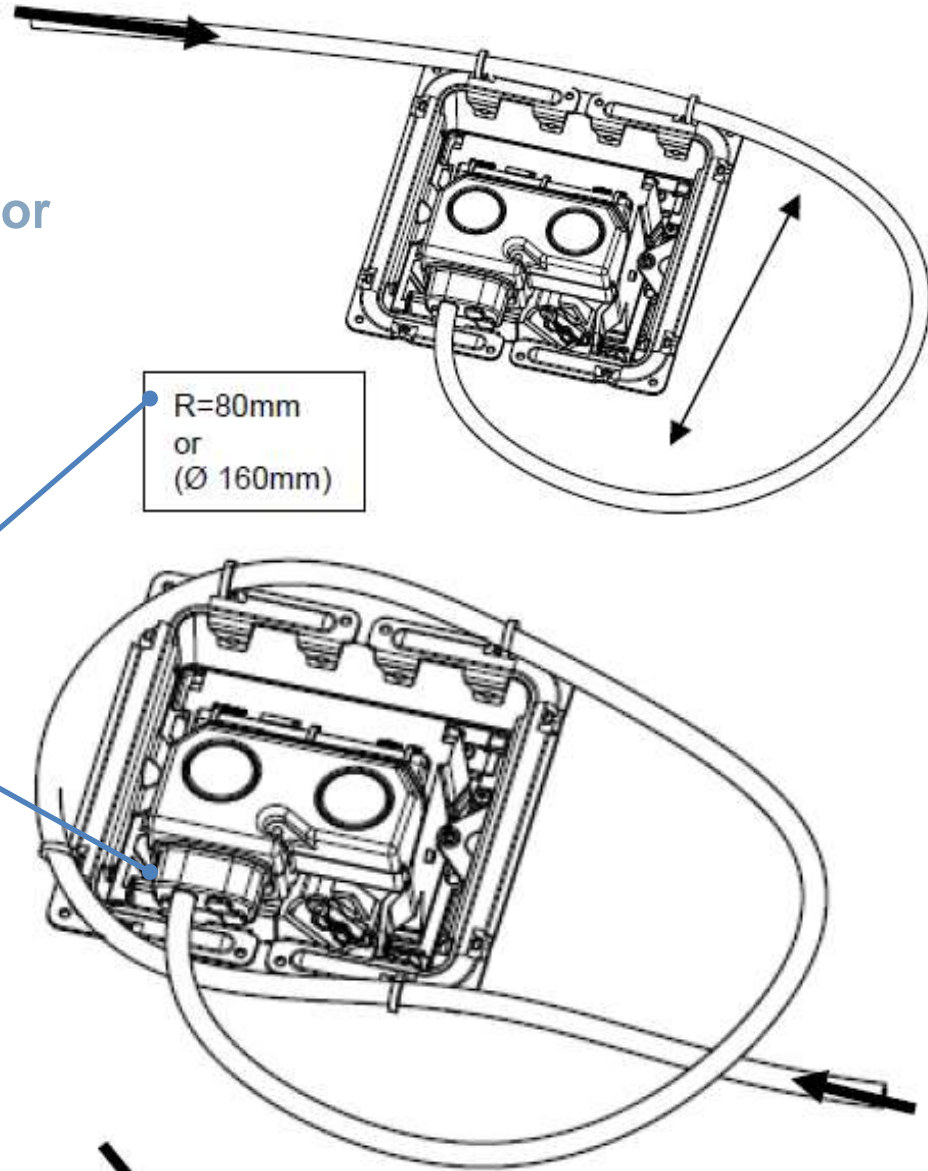
Desk Solution



Pop Up Box

– Installation Desk/ Table/ Raised Floor

Positioning of VDI Cables Under the Desk –
Respect the bending
Radius of VDI Cables



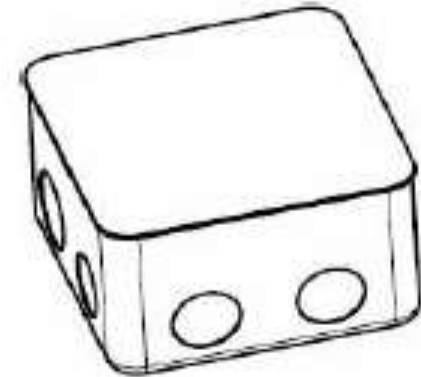
Desk Solution



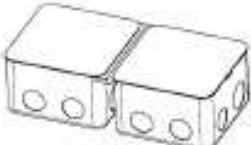
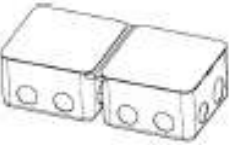


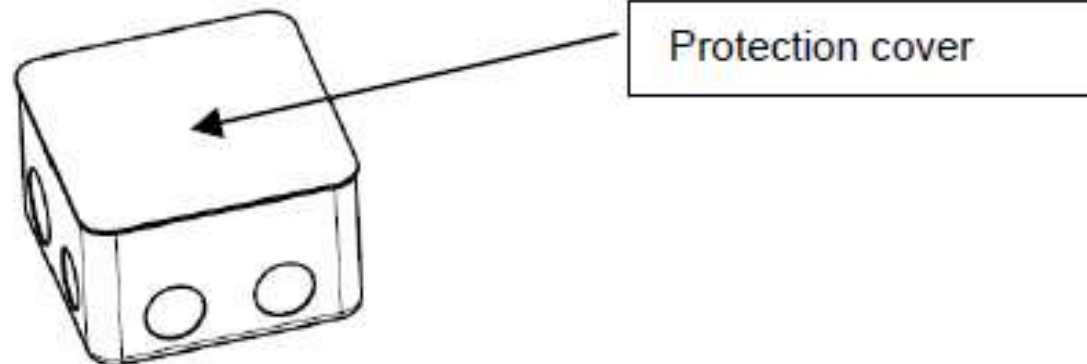
Pop Up Box – Installation Concrete Floor

Use the backbox for concrete floor

- Minimum Depth Required = 60 mm
- Back Box can take a conduit with a diameter 20mm
- The Back Box for concrete is delivered with Protection Cover to protect from Concrete entering in the back box



Pop-up 3mod	Pop-up 4mod	Pop-up 6 (2x3) mod	Pop-up 8 (2x4) mod
			

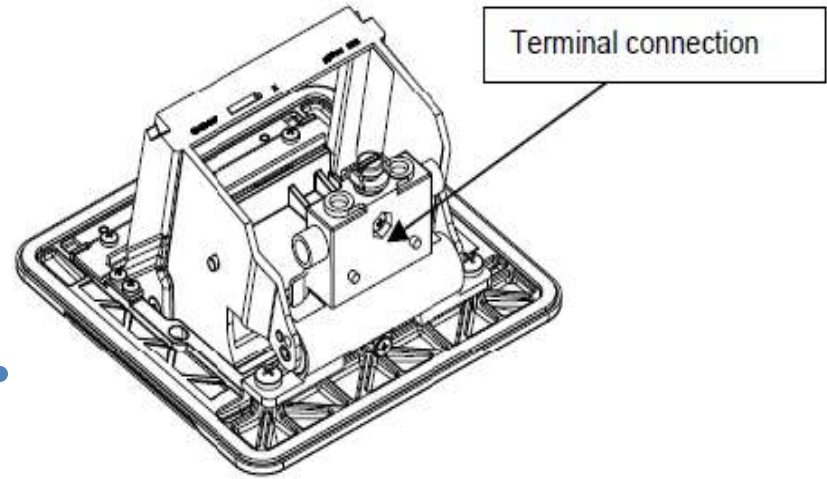


Desk Solution



Pop Up Box – Installation Concrete Floor

Pop-Up Delivered with
Terminal Conncetion



Place the Pop Up on Back
Box and tighten the Screw

